



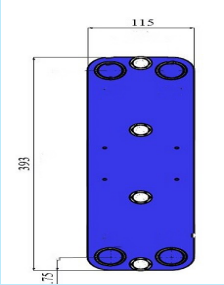
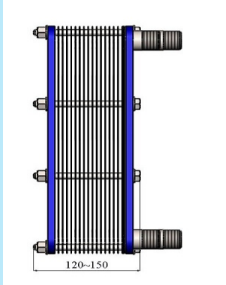
HMZ export
Humanity Mobility Zeal



www.hmzexport.com
marketing@hmzexport.com



serie 2802

technical specification		product Dimension	
flow rate	5-15 m ³ /hr (Max)	width & height	length
frame material	-----		
plate material *	SS316L , SS304 , TITANIUM		
gasket material *	EPDM , NBR , FKM	vertical distance between 2 connections	horizontal distance between 2 connections
connection type *	threaded		
manufacturing st.	-----	343.5 (mm)	66 (mm)
connection size	1 1/4 Inch		
design temperature	Max 180 C		
design pressure	Max 22 Bar		

* : the order can be prepared upon the customer's request