



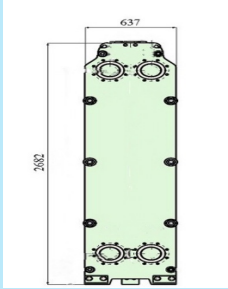
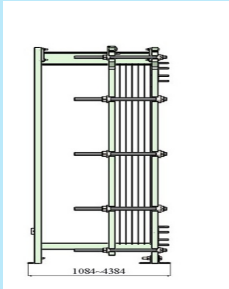
HMZ export
Humanity Mobility Zeal



www.hmzexport.com
marketing@hmzexport.com



serie 2915

technical specification		product Dimension	
flow rate	140-432 m ³ /hr (Max)	width & height	length
frame material	SA-516/EN10025-2 S235JR		
plate material *	SA-240 type 316L SB-265Gr.1 SB-575 N10276 SB-162 N02200/N02201		
gasket material *	EPDM , NBR , HNBR , FKM	vertical distance between 2 connections	horizontal distance between 2 connections
connection type *	studded , flange (ASME , DIN)	2035 (mm)	288 (mm)
manufacturing st.	ASME BPVC VIII-1 , API STD 662-1		
connection size	NPS6 , DN150		
design temperature	Max 180 C		
design pressure	Max 22 Bar		

* : the order can be prepared upon the customer's request